

## Cold chamber with low temperature

### DESCRIPTION

- The refrigerated installation with very low temperature is delivered complete with instrumentation, technical and teaching manual.
- Conception, manufacturing and industrial standards.
- Complete safety material, control and measuring.
- The didactic interest of the installation suits to different level and field of studies.
- Use of the refrigerated fluid R134A and R404A is adapted to new regulation.



### TEACHING APPLICATION

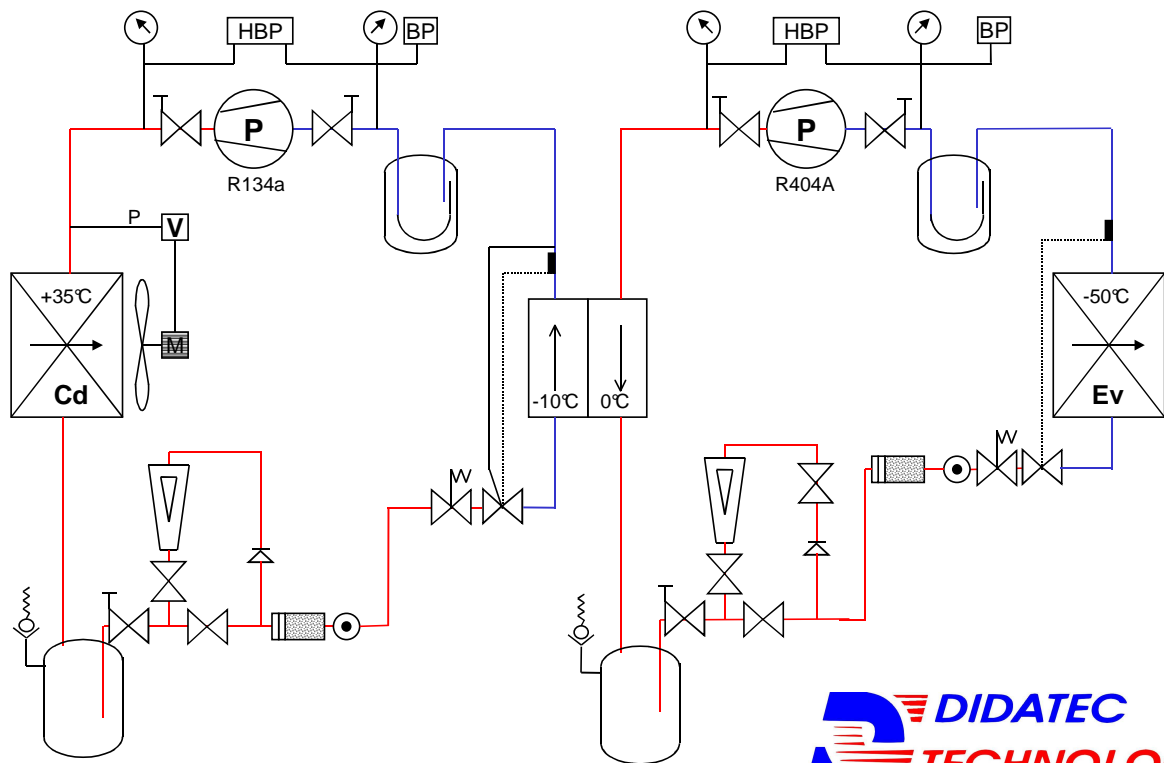
Functioning of a refrigerated equipment of stunt type

- Semi hermetic compressor
- Heat exchanges
- Power
- Result coefficient

Fluid circuit

- Possibility of modification
- Set up.
- Preventive maintenance.
- Curative maintenance.

# CMF 100



## Cold chamber

Insulation 150mm foam polyurethane  
Dim 1200x1200x2030 mm  
Loss 0.212W/m<sup>2</sup>, °C  
(coefficient K)  
Depressurization valve  
Heating cord of door  
Heating cord for evacuation of condensation  
Heating electric for simulation of load of 2000W

## Numerical indicator with probes placed at the characteristic points of the System installation of regulation and of safety

High pressure manometer  
Intermediate pressure manometer  
Low pressure manometer  
High pressure pressostat  
Low pressure pressostat  
Combined pressostat  
Thermostat of safety

## UTILITIES

Electricity : 380 V tri – 50/60 Hz  
Evacuation of condensation

## INSTALLATION VOLUME

Length : 1850mm  
Width : 1240mm  
Height : 2000mm  
Weight : 350kg