

Production and study of solar electric energy

DESCRIPTION

- The solar energy production study unit comes complete and fully equipped with a technical and practical work manual.
- Design, production and industrial equipment.
- 60W 12V polycrystalline module with tempered safety class front panel
- The study unit comes with all the necessary equipment to produce electrical energy(controller, 12V 65Ah battery, 300W pseudo sinus inverter).
- Instrumentation to measure all the electrical parameters within the set up (power, voltage, electric currents)

The didactical interest is suited to different levels and areas of study.



photo non contractuelle

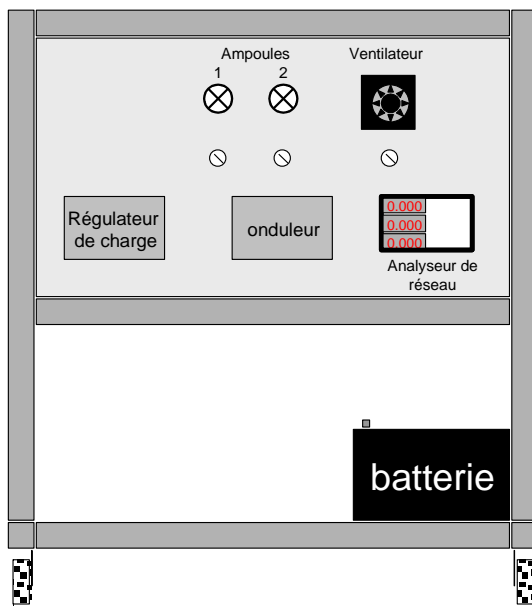
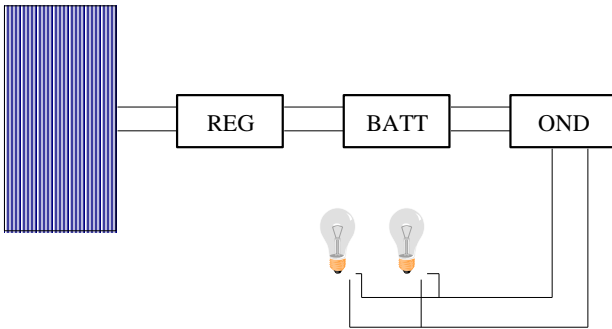
TEACHING APPLICATIONS

- Solar study panels
- Output study
- Study of the orientation and influence of the panel
- Efficiency calculation
- Output calculation
- Set up experiments

TECHNICAL CHARACTERISTICS

The unit is composed of :

- 60W 12V polycrystalline module
36 cell series
Maximum electrical current 3.55A
Maximum voltage 16.9V
- Load miser 12V 10A
- Sealed battery 12V 65Ah
- pseudo sinus inverter 300W 12V
Input voltage 12V (10à15V)
Output voltage 230VAC 50Hz
- 2 light bulbs 230VAC 50W
- 1 ventilator



Instrumentation :

- CC 30V voltmeter
- CC10A ammeter
- Network analyser to measure :
 - Voltage
 - Electrical current
 - Frequency
 - Power (active, reactive, apparent)
- Solar meter to measure solar energy