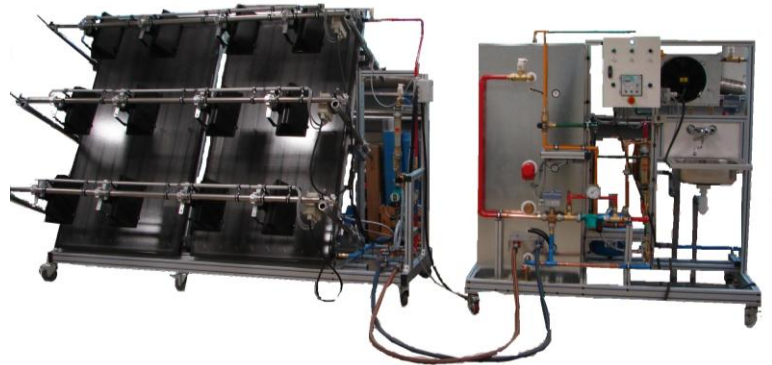


Test bed of ECS and heating accumulator

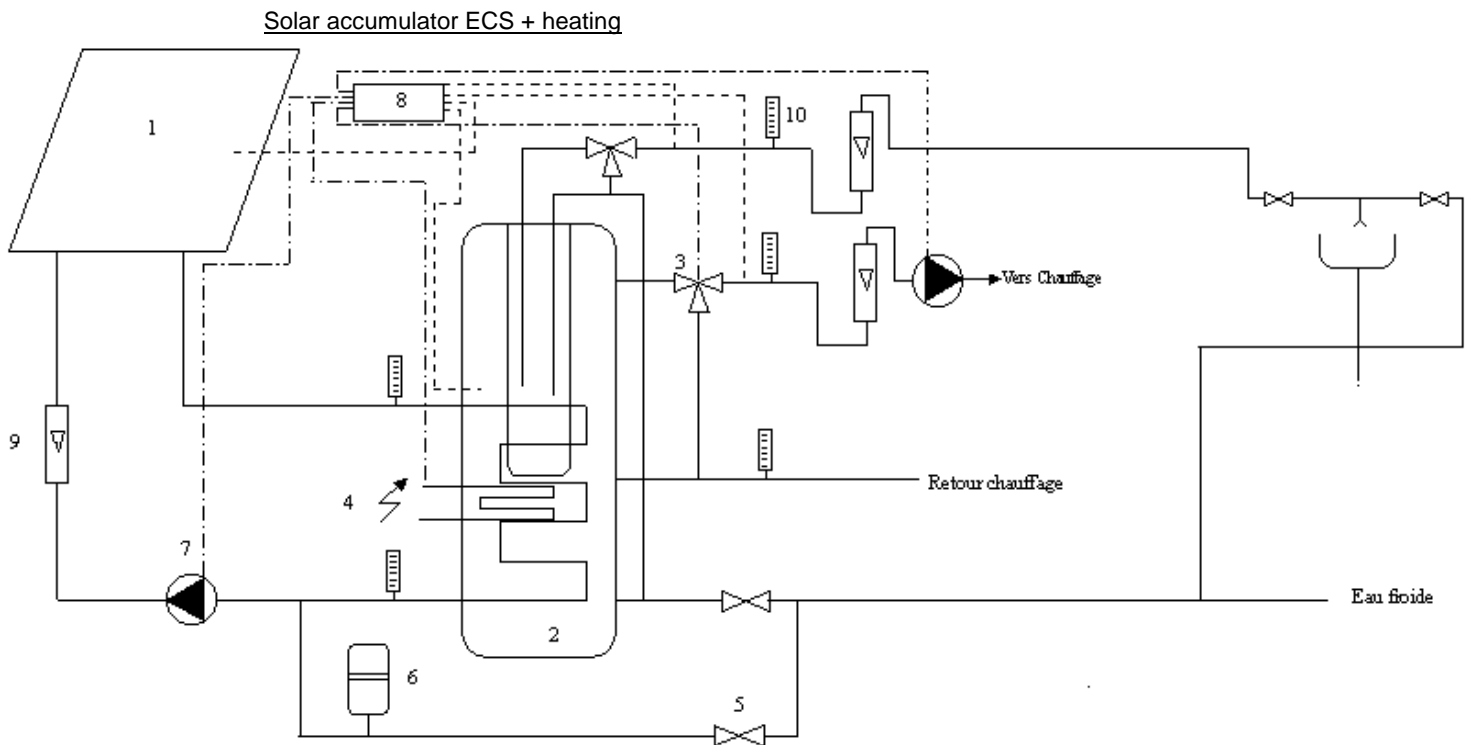
DESCRIPTION

- Test bed of heating accumulator is delivered complete with technical and educational manual.
- Design, production and industrial equipment.
- This unit can be used at different levels and for different courses.
- Functioning :
 - Solar panel exchanger.
 - Accumulator.



SUGGESTED LESSONS

- Study of solar panel.
- Study of the output.
- Setting up of thermal results.
- Calculation of efficiency.
- Calculation of thermal output.
- Comparison of efficiency.
- Hydraulic connecting
- Electric wiring.
- Set up.
- Adjustment.
- Regulation.



Solar panel :

A solar panel "collector"

Surface : $2.53 \times 2 = 5.05 \text{ m}^2$

Water heater :

Capacity : 550 l

Resistance : 6 KW

Circulator :

- 2 three speed circulators :
- 1 on the panel circuit.
- 1 on heating circuit.

Dissipation :

Inox sink equipped with tap.

Solar simulation :

Halogen lamp.

1 : Solar panel.

2 : Emersion tank.

3 : Three way valve.

4 : Electrical backing.

5 : Operation valve.

6 : Expansion tank.

7 : Circulator.

8 : Regulator.

9 : Flow meter.

10 : Thermometer.

OPTION

-Possibility to join on dissipation bench TCF 01, TCF 122

-Possibility to join the bench TCF 200.

-Possibility of computerised data acquisition.

UTILITIES

Electricity : 380 VAC.

PROTECTION

Circuit breaker 30mA

Thermal protection for heated areas