

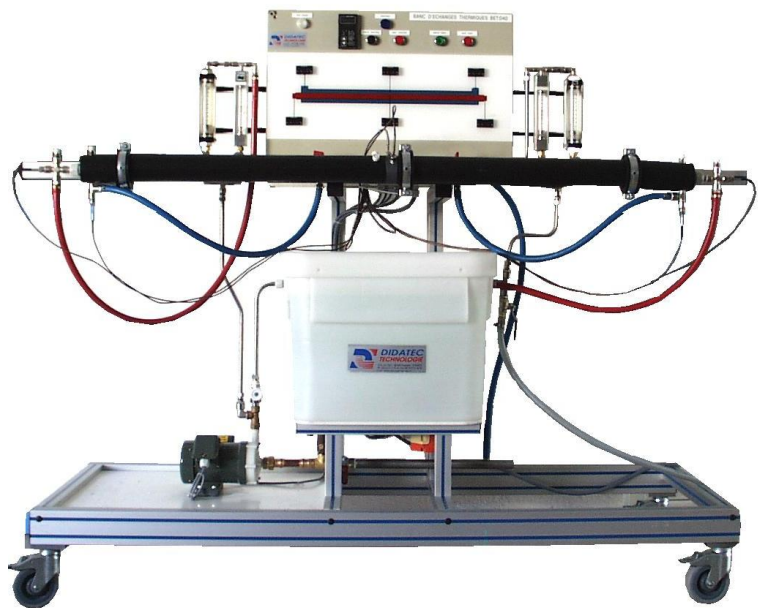
Heat Exchanger : Concentric Tubes

DESCRIPTION

- This unit uses an exchanger consisting of concentric tubes, which can work in counter-current (methodic) or con-current (anti-methodic) mode.
- A tank equipped with an immersion heater permits the pre-heating of water with or without recycling.

A pump enables the flow of a fluid in the network or the agitation of the fluid.

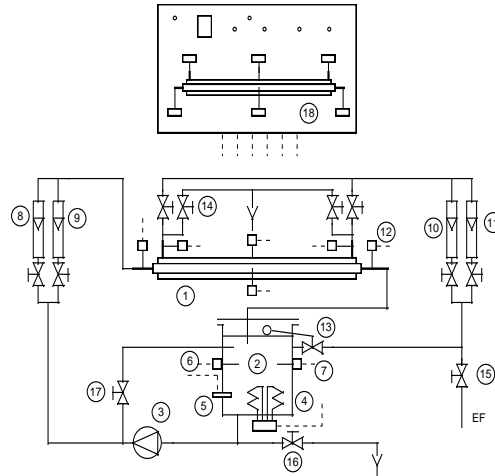
- The set is mounted on a mobile aluminium frame with wheels.
- The unit is delivered complete with instrumentation and with technical documentation and instructions.
- It is suitable for different levels and fields of studies.



SUGGESTED APPLICATIONS

- Con-current heat exchanges
- Counter-current heat exchanges
- Description of laminar and turbulent flow

PRINCIPLE DIAGRAM



1. Heat exchanger with concentric tubes
2. Tank for the return of hot water
 - Polyethylene
 - Volume 40 litres
3. Centrifugal pump – magnetic drive
220 V – 265 W
4. Electric power (4.5 KW) for the water heater
5. Low level probe
6. Safety thermostat
7. Temperature sensor for regulating the heat
8. Hot water flow meter 1-10 L/min
9. Hot water flow meter 10-90 L/h
10. Cold water flow meter 20-180 L/h
11. Cold water flow meter 1-10 L/min
12. 6 thermocouples type T
13. Emptying valve with mechanic command by floater
14. 4 con-current selection valve
15. Cold water inlet valve
16. Evacuation valve
17. By-pass valve
18. Switch cupboard

UTILITIES

Electricity : 230 V single-phase – 5 kW

Network water

DIMENSIONS

Length : 700 mm
Width : 1 700 mm
Height : 800 mm
Weight : 100 kg