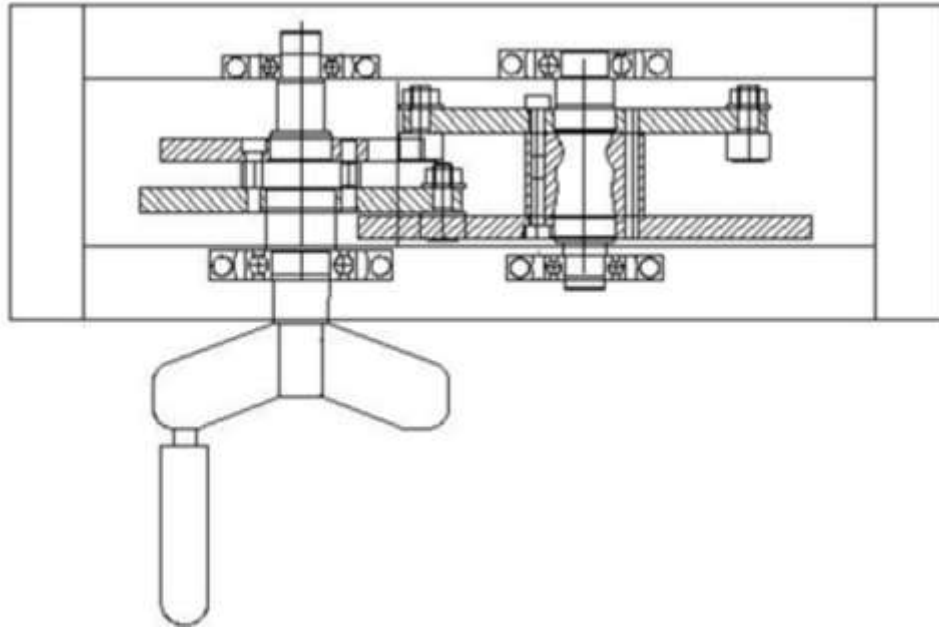


MALTESE CROSS MECHANISM



Experimental capabilities

- Study of geometric and speed relationships of the motion
- sequence study mechanism (rotation/blocking)

Operating principle

The SCM100 bench allows the study of geometric and speed relationships of the mechanism and of the sequence of movement (rotation / blockage).

Aluminium profile mulch frame on feet

Anodized aluminium structure

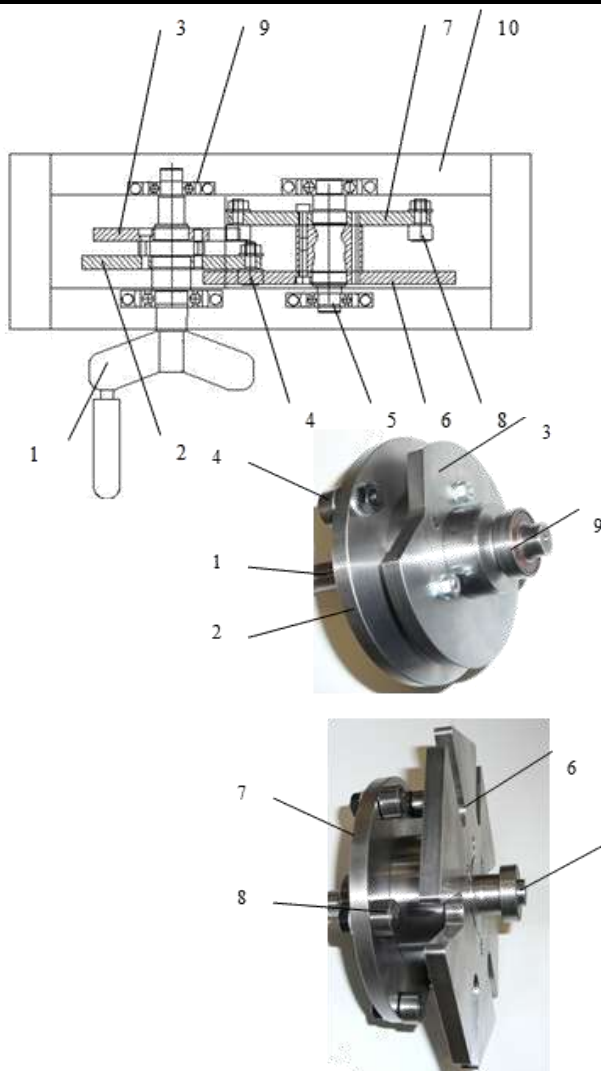
Entry tree supporting 2 discs

Outgoing tree supporting 2 discs

Including a grooved (malt cross) rotational crank

The robust design of this equipment makes it perfectly suited for use in a school setting. The manufacture of this equipment meets the European machine directive

Illustrations



Technical details

1. Entry tree rotated by crank
2. Primary training tray diameter 130mm (corrosion treated)
3. Secondary tray of the entry shaft (treated against corrosion) used to immobilise/ release the rotation of the entry shaft according to the position of the malt cross. The entry shaft is therefore immobilized when the cam is in a position preventing it from being seeded by the Pebble Rep 4- The entry shaft is therefore free in rotation when the cam is in a position allowing it to be seeded by the Pebble Rep 4
4. Graining pebble of the malt cross (-1)
5. Exit tree (anticorrosion treaty)
6. Malt cross at 6 grooves at 60 degrees (treated against corrosion)
7. Secondary exit tree tray. This tray supports the 6 pebbles rep 8 used to immobilize the entry shaft when the cam cannot be seeded by the pebble 4
8. Pebbles of the entry shaft (*6)
9. Ball rolls providing the guidance of the 2 trees (*4)
10. Aluminium frames on 4 feet to place the module on a table

Services required

- Dimensions: (LxWxH mm): 500 x 300 x 300
- weight (Kg): 15

Note : if the equipment installation is operated by our staff, all supplies and exhaust connections required must stand at less than 2m from the machine

Documentation

- User's manual
- Pedagogical manual
- Technical documentation of the components
- Lab exercises
- Certificate of conformity CE